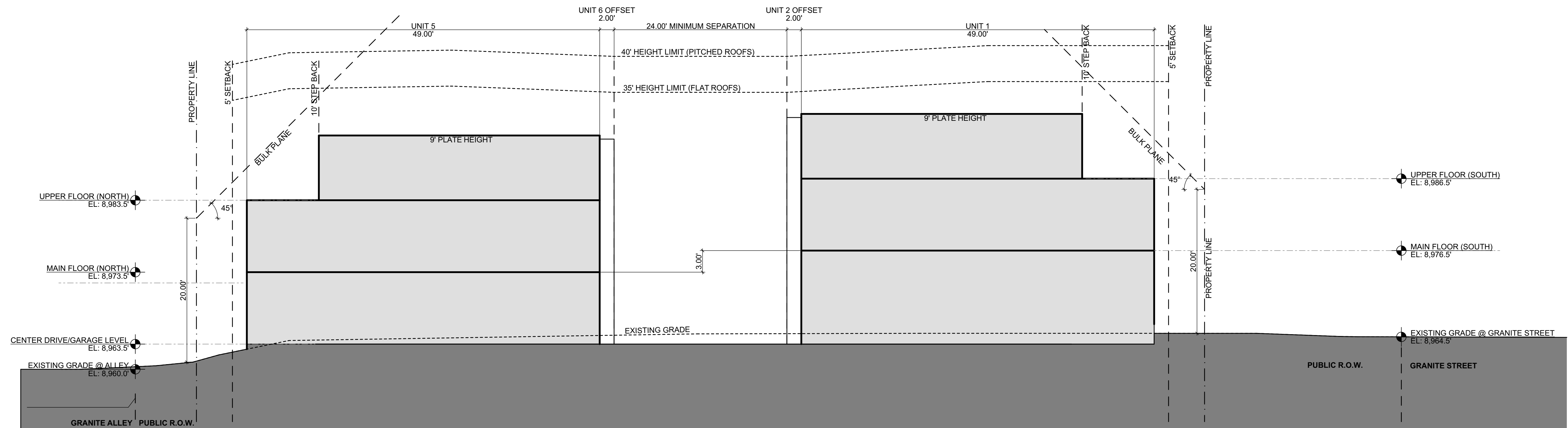
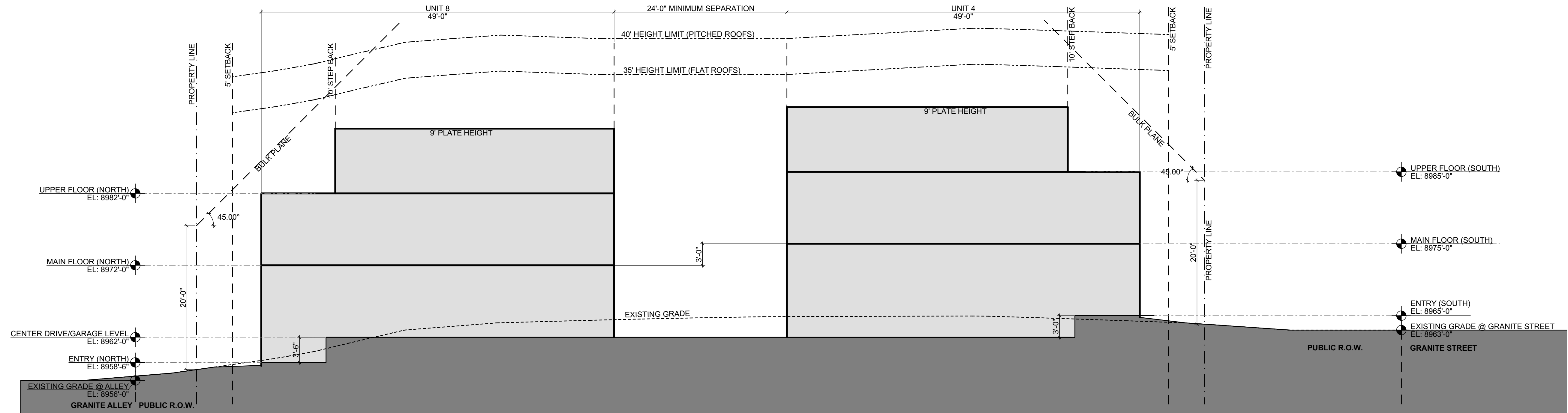


ARAPAHOE ARCHITECTS

P.O. BOX 4780
BRECKENRIDGE, CO 80424
970 453 8474

© COPYRIGHT
REUSE OR REPRODUCTION
OF THIS DOCUMENT IS NOT
PERMITTED WITHOUT
WRITTEN PERMISSION OF
ARAPAHOE ARCHITECTS, P.C.



GRANITE STREET HOMES

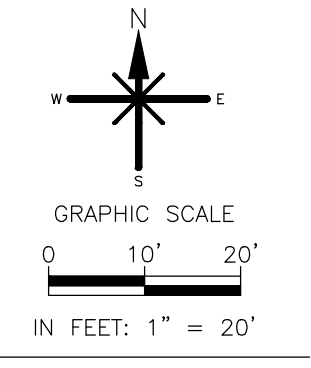
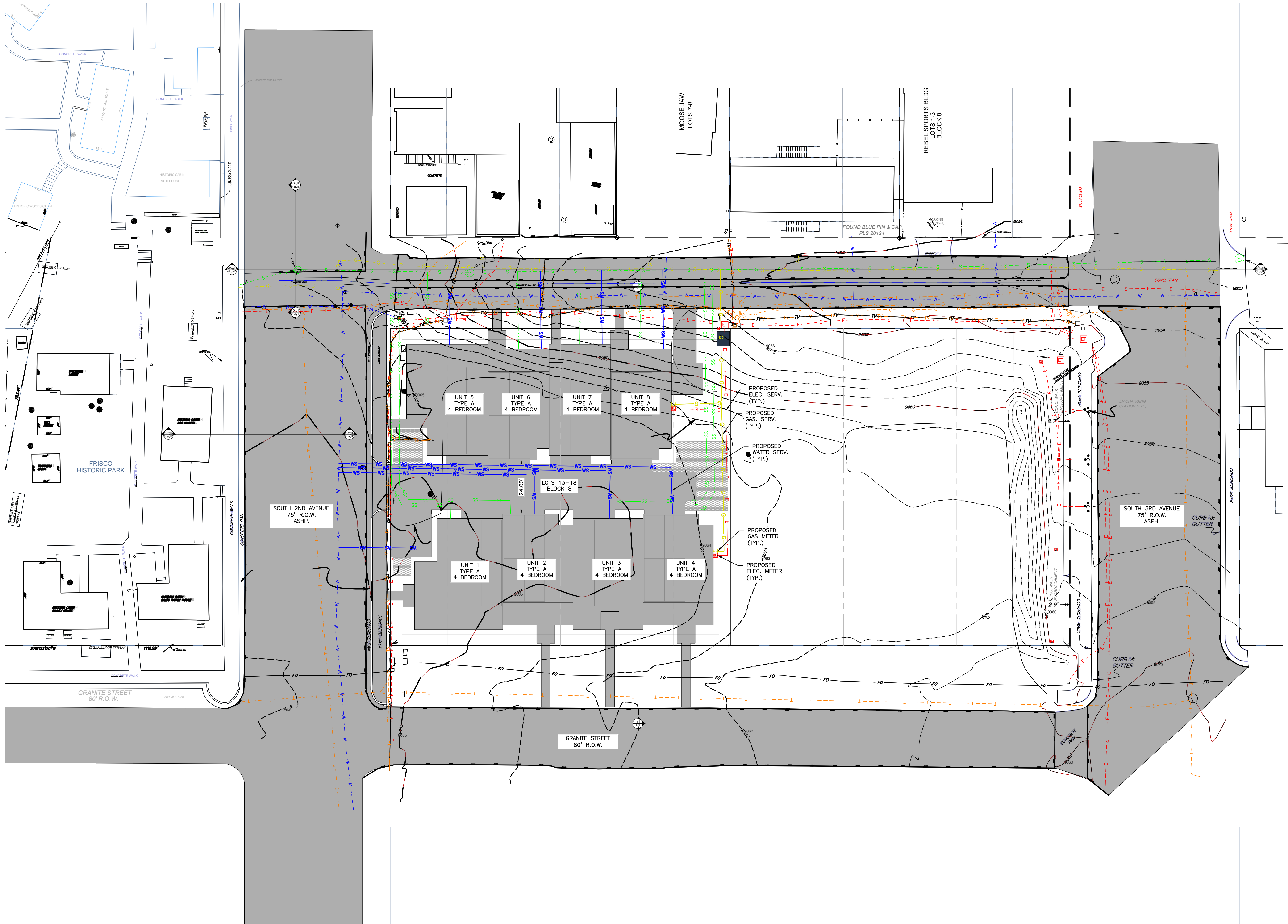
LOTS 13 - 18, BLOCK 8
207 GRANITE STREET
FRISCO, COLORADO

SITE SECTION

JOB	2619
DWN BY	NJ
ISSUE	06/10/26 - DRC

SHEET

A-2



ROARING FORK ENGINEERING
 592 HIGHWAY 133
 CARBONDALE, CO 81623
 RFENG.BIZ | (970) 340-4130

DRAFT

CHECKED BY: AWA
 DRAWN BY: MAC

DRAWN BY:
 MAC

DATE
 06.10.2026

DESCRIPTION
 PRELIMINARY SITE LAYOUT
 # 1

JOB #: 2026-51
 NOT FOR
 CONSTRUCTION

GRANITE STREET HOMES
LOTS 13-18 BLOCK 8
 FRISCO, COLORADO

Preliminary Site Layout